

DATA SHEET GATEKEEPER LITE SERIES POWER SURGE DIVERTER (SPD)



GKSDL Single Phase SPD



Product Description:

The LDU GKSDL surge diverter is a high quality low cost DIN compliant diverter of a modular design. Therefore when the device expires, you simply replace the module to reinstate the diverters full capacity. The unit has been designed for mounting in the main switchboard/distribution board Cat B/C locations.

As with all LDU diverters, the LSD360-440/A surge diverter has been designed to be fail-safe incorporating internal over voltage and thermal fusing.

Features:

- Three phase diverter for class 1&11 Cat B&C applications.
- Modular design
- Internal fusing
- Status indication
- Long service life

Alarm:

The GKSDL is supplied with external alarms consisting of a voltage free relay to remotely monitor the diverter status. The alarm terminal capacity is 2.5mm² and are configured as follows:

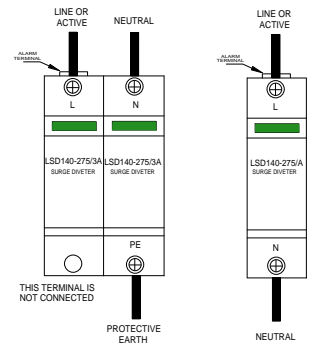
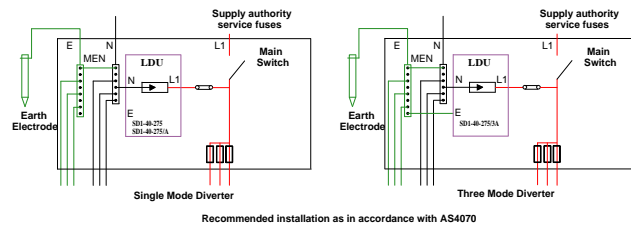
NC = Normally Closed
NO = Normally Open
C = Common

Closed when power is off or under fault conditions
Open when power is off or under fault conditions

Installation:

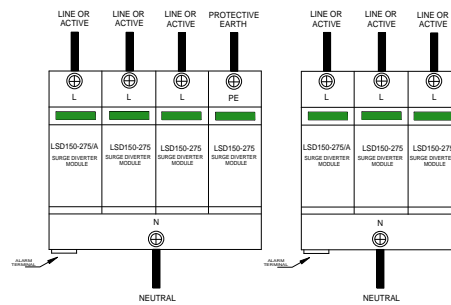
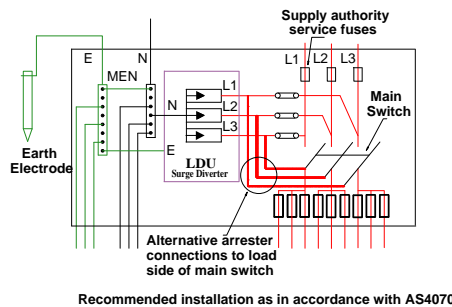
The GKSDL should be installed on the supply side of any and all RCD/ELCBs (Residual Current Devices/Earth Leakage Circuit Breakers).

Single Phase:



Three Mode Single Mode

Three Phase:



Three Mode Single Mode

DATA SHEET

GATEKEEPER LITE SERIES POWER SURGE DIVERTER (SPD)

Specification:

Order Code:		GKSDL1-50-275	GKSDL1-50-275/3	GKSDL3-60-440	GKSDL3-60-440/3
Electrical Specification					
Application		Single Mode Protector	Three Mode Protector	Single Mode Protector 6	Three Mode Protector
Phases:		Single		Three	
Primary surge protection (per mode)	I_{MAX}	50KA – 1278 Joules		60KA – 1533 Joules	
Nominal input voltage (per phase):	U_O	275Vac / 50Hz			
Maximum continuous voltage - AC:	U_C	440Vac / 50Hz			
Maximum continuous voltage - DC:		585Vdc			
Connection type:		Parallel			
Maximum load current:	I_L	N/A			
Let-through voltage @3KA 8/20us		1KV			
Modes of protection		One (L-N,)	Three (L-N, L-E, N-E)	One (L-N,)	Three (L-N, L-E, N-E)
Response time	t_A	$\leq 5ns$			
Follow on current		Nil			
Earth leakage current:		$< 1mA$			
Display:		Thermal Disconnector – Green – normal Red - Failure			
Inline current limiting device size		63A			
Operating temperature range		$-40^0 - +80^0$			
Remote contact alarms		Yes			
Remote contact alarms type		Optional - Floating Changeover Contact			
Alarm Isolation		4KV			
Switching capability	U_N/I_N	AC: 250V/0.5A			
Standard Compliance		IEC 61643-1 2001			
Surge Tested To		ANSI C62.41 Cat A, Cat B, Cat CAS/NZS 1768-2007 Cat A, Cat B, Cat C IEC/VDE I & II / B&C			
RCM Number (Aust Approval)		5140			
Mechanical Specifications:					
Connection type:		Disconnect terminals – Screw terminal			
Power terminal capacity:		35mm ² single-strand or 25mm ² multi-strand			
Alarm terminal capacity		2.5mm ²			
Enclosure material		Thermoplastic: extinguishing degree UL94 V-0			
IP index:		IP 20			
Mounting:		35mm DIN rail in accordance with EN50022/DIN46277-3			
Width:	mm	18	36	54	72
Depth:	mm	65			
Weight:	g	150	300	450	600

KEY: Example: GKSDL3-60/3/A

Gatekeeper	Number of Phases			Modes	
GK SD	L	3	-	60	/ 3 /A
Surge Diverter	LITE Version			KA Rating	Optional Alarm